

DYNESTIC 7515 | 7516

The perfect nesting technology

CNC machining centers



Your Partner for Precision and Productivity

HOLZ-HER[®]
Spezialmaschinen

Precise, quick, efficient

With the DYNESTIC 7515 | 7516, HOLZ-HER offers a perfect entry into nesting technology to modern manufacturers. The standard key features of the DYNESTIC machining centers are:

- Technology at its best
- Tool changer (for 8 tools) for quickly changing tools (Optional: tool changer for 12 tools – Pick-up)
- Manual operator interface for remote control of the machine
- Vacuum pump with an output of 250 m³/h

The welded machine frame, polished and hardened prismatic guides and the robust control platform stand for high precision of production even in continuous operation or under heavy duty. DYNESTIC 7515 and 7516 are each available in two machine lengths which are both highly suitable for practical use. The machining zones measure up to 3375 mm in the X-direction and 1561 mm in the Y-direction for the powerful milling spindle.





Machining head – equipped to fulfill all requirements [Fig. 1]

- Powerful router unit with an output of 6.5 kW (optionally 11 kW) with tool-receiving socket
- Drilling head with six vertical drills in the X-direction, four drills in the Y-direction
- Two horizontal drills each in X- and the Y-direction
- Second double drilling spindle in the X-direction (optional)
- Groove saw in the X-direction (optional)



Precision through linear guides

Highly precise, covered linear guides (dust and dirt protection) of referential quality allow the axes to run smoothly. They are designed for maximum precision and a very long service life. Dust-proof recirculating ball pads additionally allow for an even smoother operation [Fig. 2]

Effective through nesting ...

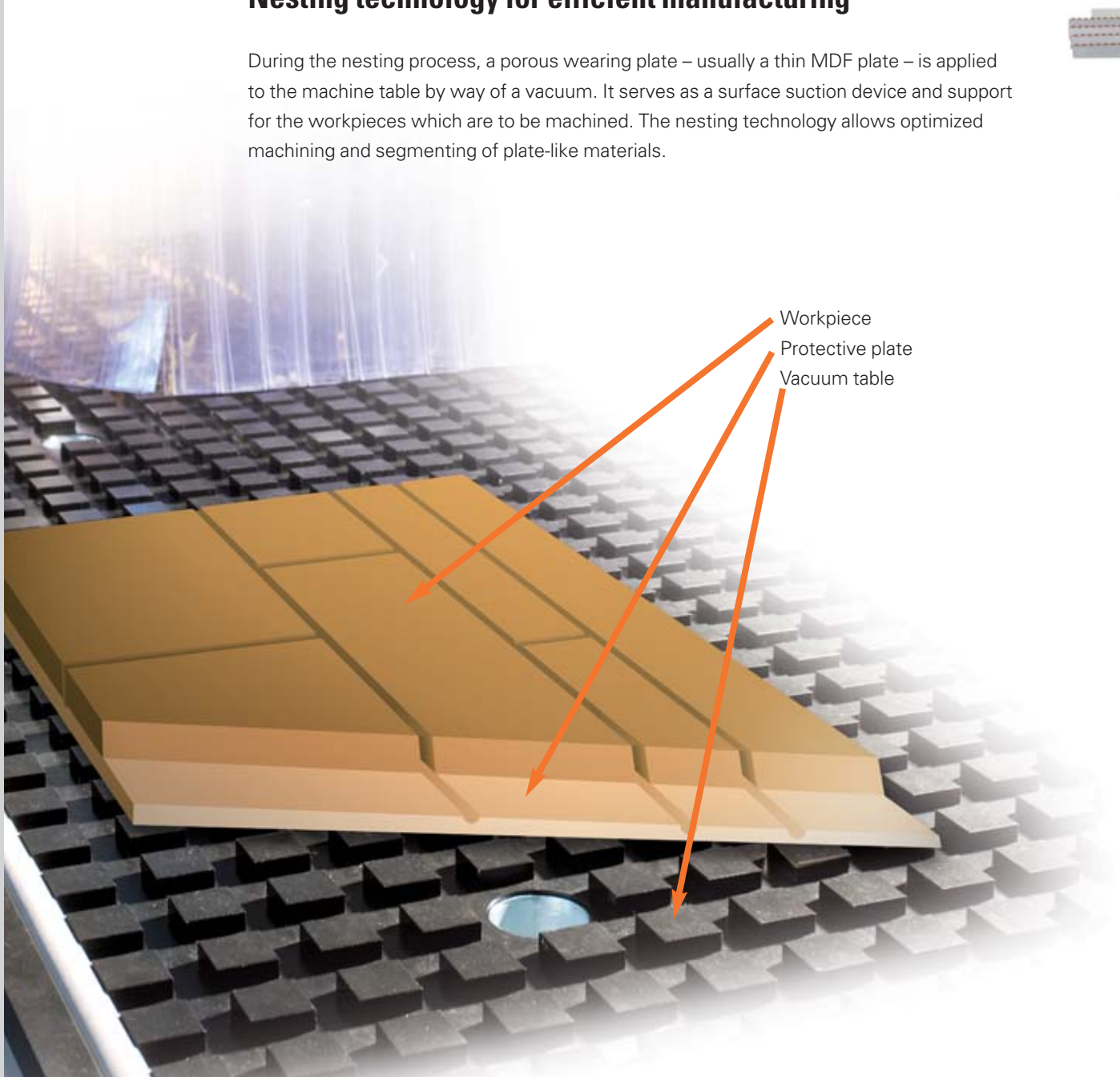
Nesting table for complete utilization

The small matrix dimension – 50mm – of the HOLZ-HER nesting table guarantees good vacuum flux over the entire surface of the table [Fig. 2].

- Complete utilization of the working area as the matrix reaches up to the table's edge
- Edge-routing and horizontal machining with double drilling spindle and groove saw (both optional) with 1561mm in the Y-direction (DYNESTIC 7516)
- Machining zone with four pneumatically controlled limit stops (three limit stops in the Y-direction; one limit stop in the X-direction)

Nesting technology for efficient manufacturing

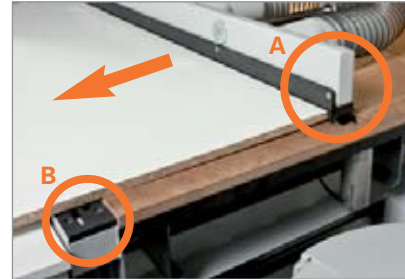
During the nesting process, a porous wearing plate – usually a thin MDF plate – is applied to the machine table by way of a vacuum. It serves as a surface suction device and support for the workpieces which are to be machined. The nesting technology allows optimized machining and segmenting of plate-like materials.



... even more efficient with feed

- 1 Running surface feeder for workpieces
- 2 Vacuum suction device for insertion
- 3 Machining panel
- 4 Movable push-off table

Dust extraction included in the pusher (A) and at the end of the waste board (B).



Feed table

The workpiece is placed onto the running surface feeder manually or by using a feeding device and then pushed into the machine [Fig. 1].

Suction of the plate

Vacuum suction devices on the control platform pull in the workpiece and position it on the machining table [Fig. 2].

Plate on the table

Optimized machining and segmenting of the plate-like workpiece [Fig. 3].

Push-off

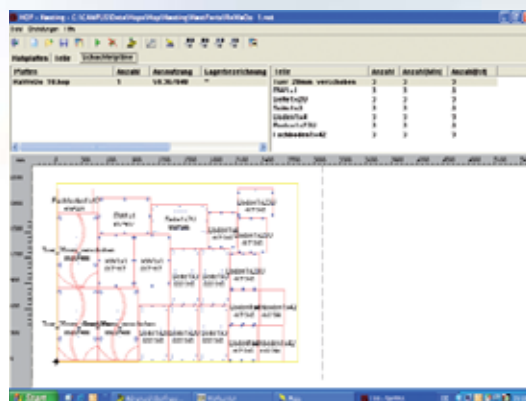
After the nesting process the workpiece will be brought on the table for unloading by the pusher. During the manual unloading the following nesting process is working [Fig. 4].



Specially adjusted control package

The HOLZ-HER machine control is an integral part of the machine concept. The equipment package includes the CAMPUS Single basic package. This powerful software provides the prerequisites for effective machining and convenient operation.

- 15" TFT screen or 17" screen (optional)
- Continuous graphical user interface
- Barcode interface
- Manual control device
- Various import possibilities
- Software CAMPUS Single basic package:
 - CAMPUS NC HOPS (graphical variant system with WOP and CAD/CAM properties)
 - CAMPUS MT Manager (tool management)
 - CAMPUS Work Center (Drag & Drop)
 - CAMPUS DXF interface
- Optional: manual nesting module or premium nesting module with
 - Free-form nesting
 - Connection to parts lists
 - List & Labeling
 - Label printing



Productivity through digital workflow

In combination, the HOLZ-HER products are unbeatable. The digital workflow between the saws, edge banding machines and CNC manufacturing centers allows for an efficient production. Flexible "Manufacturing Cells" and "Lean Manufacturing" are future-proof methods. In connection with the software HHPDE (HOLZ-HER process data capturing), time and calculative monitoring and machine data feedback are also possible within the network.

Reliable through centralized lubrication

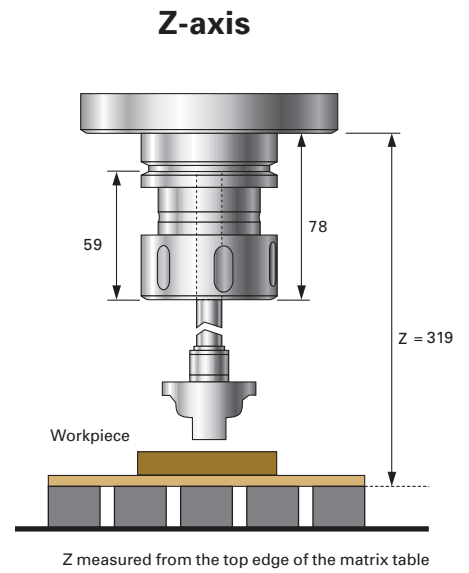
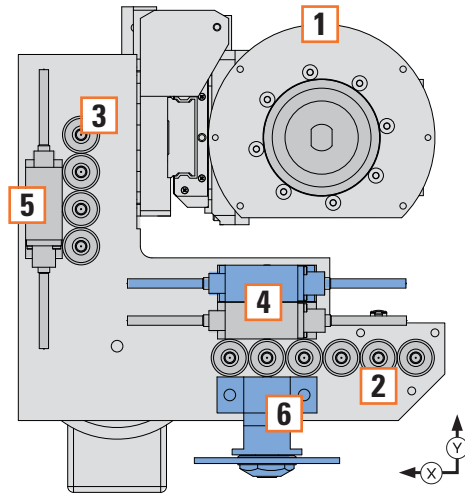
Lubrication is done via central lubrication strips. Optional: manual and automatic centralized lubrication (Figure shows manual centralized lubrication).



Machining head

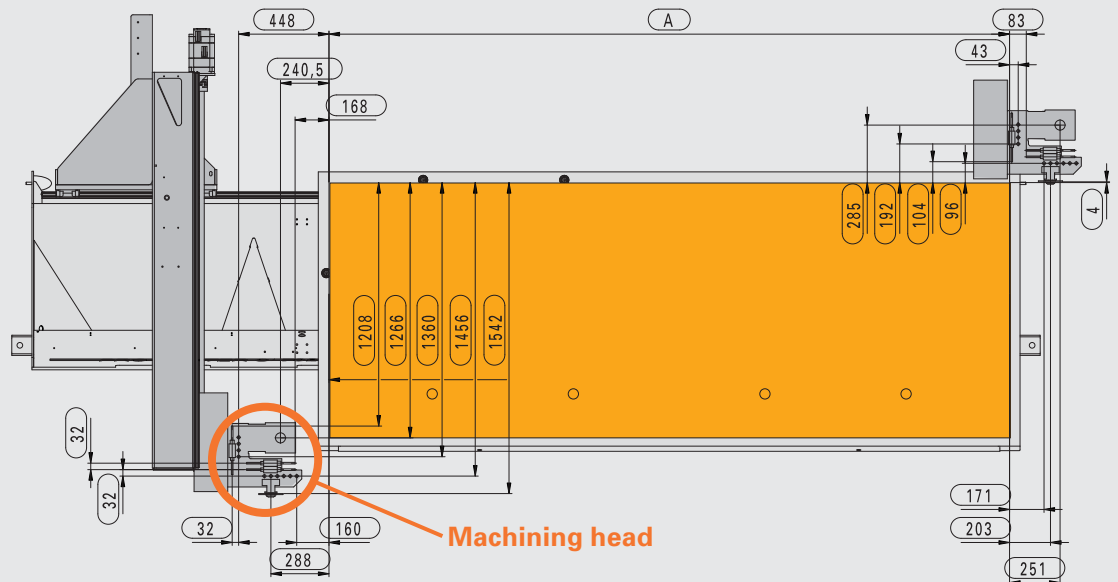
- 1 Router unit
- 2 Vertical drill in X
- 3 Vertical drill in Y
- 4 Horizontal drill in X
- 5 Horizontal drill in Y
- 6 Groove saw

■ = Optional



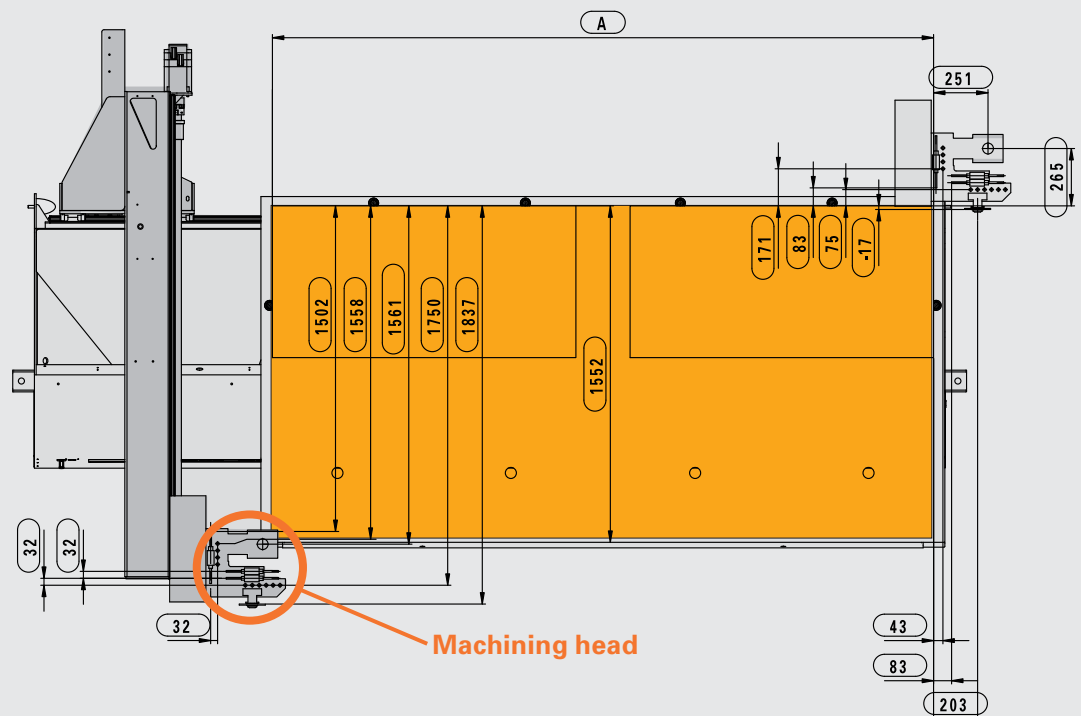
Traverses DYNESTIC 7515

Dimensions (mm)	A
DYNESTIC 7515 8.4	2690
DYNESTIC 7515 10.4	3375



Traverses DYNESTIC 7516

Dimensions (mm)	A
DYNESTIC 7516 10.5	3105
DYNESTIC 7516 12.5	3705



Technical Data

DYNESTIC 7515 | 7516

Machine

Weight (kg) (7515 | 7516)

2900 | 3200 | 2900 | 3200

Drives basic machine

Max. traverse speed X-axis (m/min | ft/min)

70 | 229.66

Max. traverse speed Y-axis (m/min | ft/min)

70 | 229.66

Max. traverse speed Z-axis (m/min | ft/min)

20 | 65.62

Max. vector speed (m/min | ft/min)

100 | 328.08

Engine output milling unit type 7830 (kW)

6.5 | 6.5

Speed milling unit type 7830 (min⁻¹)

1000–18000 | 1000–18000

Engine output milling unit type 7831 (optional) (kW)

11 | 11

Speed milling unit type 7833 (optional) (min⁻¹)

1000–24000 | 1000–24000

Engine output drilling unit type 7979 (kW)

1.7 | 1.7

Speed drilling unit type 7979 (min⁻¹)

1000–6500 | 1000–6500

Electrical system

Supply voltage (Volt)

3 x 400 | 3 x 400

Mains frequency (Hz)

50/60 | 50/60

Output (depends on equipment) (kW)

20 | 20

Compressed air

Operating pressure (bar)

6.0 | 6.0

Admissible limit pressure (bar)

8.0 | 8.0

Compressed air required (l/min)

300 | 300

Suction

Suction performance (m³/h | ft³/h)

5300 | 187 213

Static negative pressure (Pa)

2500–3000 | 2500–3000

Feed connection \varnothing (mm | inch)

200 | 7.87

Suction speed at feed connection (m/sec | ft/sec)

30 | 98.43

Vakuumpumpe

Vacuum pump VP 8 (m³/h | ft³/h)

250 | 8 831

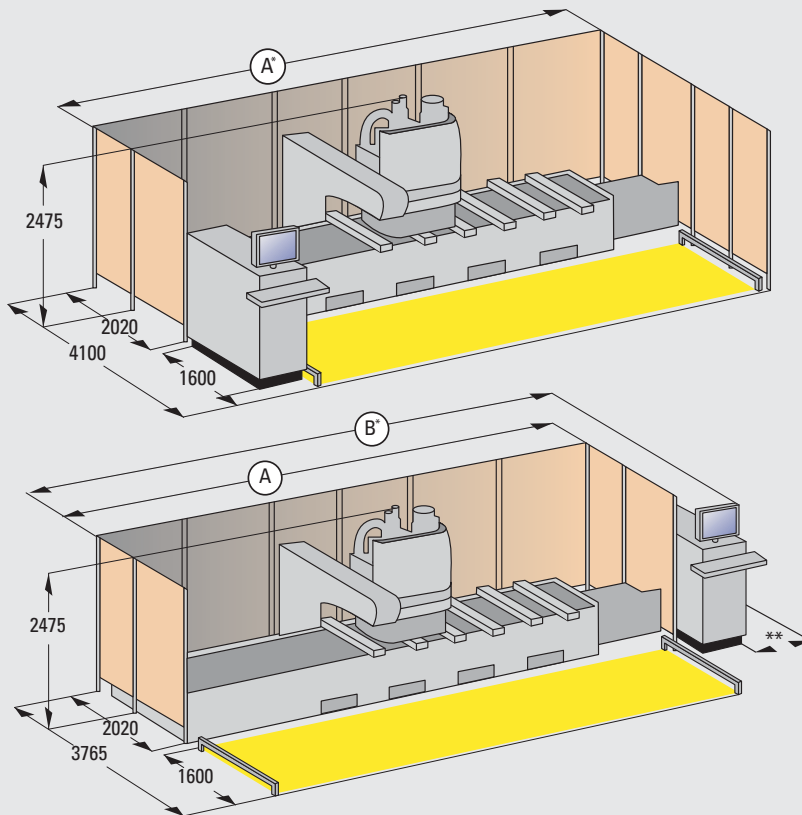
Vacuum pump VP 14 (optional) (m³/h | ft³/h)

500 | 17 662

Vacuum pump VP 9 (optional) (m³/h | ft³/h)

750 | 26 492

All product brochures available for download at www.holzher.de



Switchgear cabinet left side of the machine

Dimensions (mm)	A*
DYNESTIC 7515 8.4	5438
DYNESTIC 7515 10.4	6118
DYNESTIC 7516 10.5	5750
DYNESTIC 7516 12.5	6420

* For the vacuum pump, an additional floor area of 2 x 2 m (max.) is required.

■ = Light barrier zone

** = Recommended distance to wall min. 800 mm

Switchgear cabinet right side of the machine

Dimensions (mm)	A	B*
DYNESTIC 7515 8.4	5864	6480
DYNESTIC 7515 10.4	6654	7260
DYNESTIC 7516 10.5	6180	6780
DYNESTIC 7516 12.5	6880	7480

The technical data are guidelines. Construction and equipment are subject to changes as HOLZ-HER machines are continuously developed further. The figures are non-binding. The machines partly contain special equipment which is not included in the standard scope of delivery. For better information, the machines were partly represented in the figures without their protective cover.

Printed on: 11th May 2009

First edition: 11th May 2009

Your authorized dealer of HOLZ-HER Spezialmaschinen

REICH Spezialmaschinen GmbH
D-72608 Nürtingen
Tel.: +49 (0) 70 22 702-0
Fax: +49 (0) 70 22 702-101
www.holzher.de

HOLZ-HER[®]
Spezialmaschinen